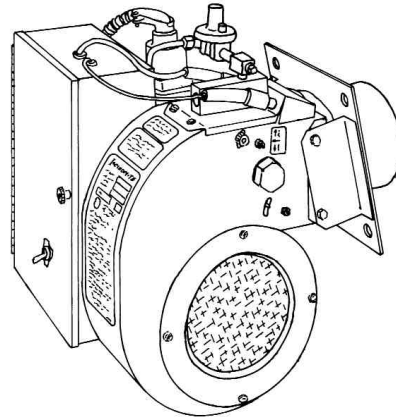


Replacement Parts List

Model Incinomite J83-DS



*Installation Manual 8470 23
Date code 587 or later*

- Features S87D Honeywell Electronic Control.
- First production September 14, 1987 (date code 3887).
- Supersedes J82-DS which featured an ID605-F G.E.I. Electronic Control.
- September 9, 1991 (Date Code 3791), when 3/4 NPT Gas Valves became difficult to obtain, the 20VA Transformer was permanently upgraded to a 30VA Transformer, in order to accommodate the purchasing of alternate valves which had a higher volt amp draw.
- September 9, 1991 (Date Code 3791), when 30VA Transformers became unavailable, 260 INCINOMITES were assembled with larger 40VA Transformers. If replacement should be necessary, order 6447-50 Transformer Kit 120/1/60 24V-30VA.



Midco[®]
INTERNATIONAL

Midco[®] International Inc.

4140 West Victoria Street
Chicago, Illinois 60646
tel 773.604.8700
fax 773.604.4070
web www.midco-intl.com
e-mail sales@midco-intl.com

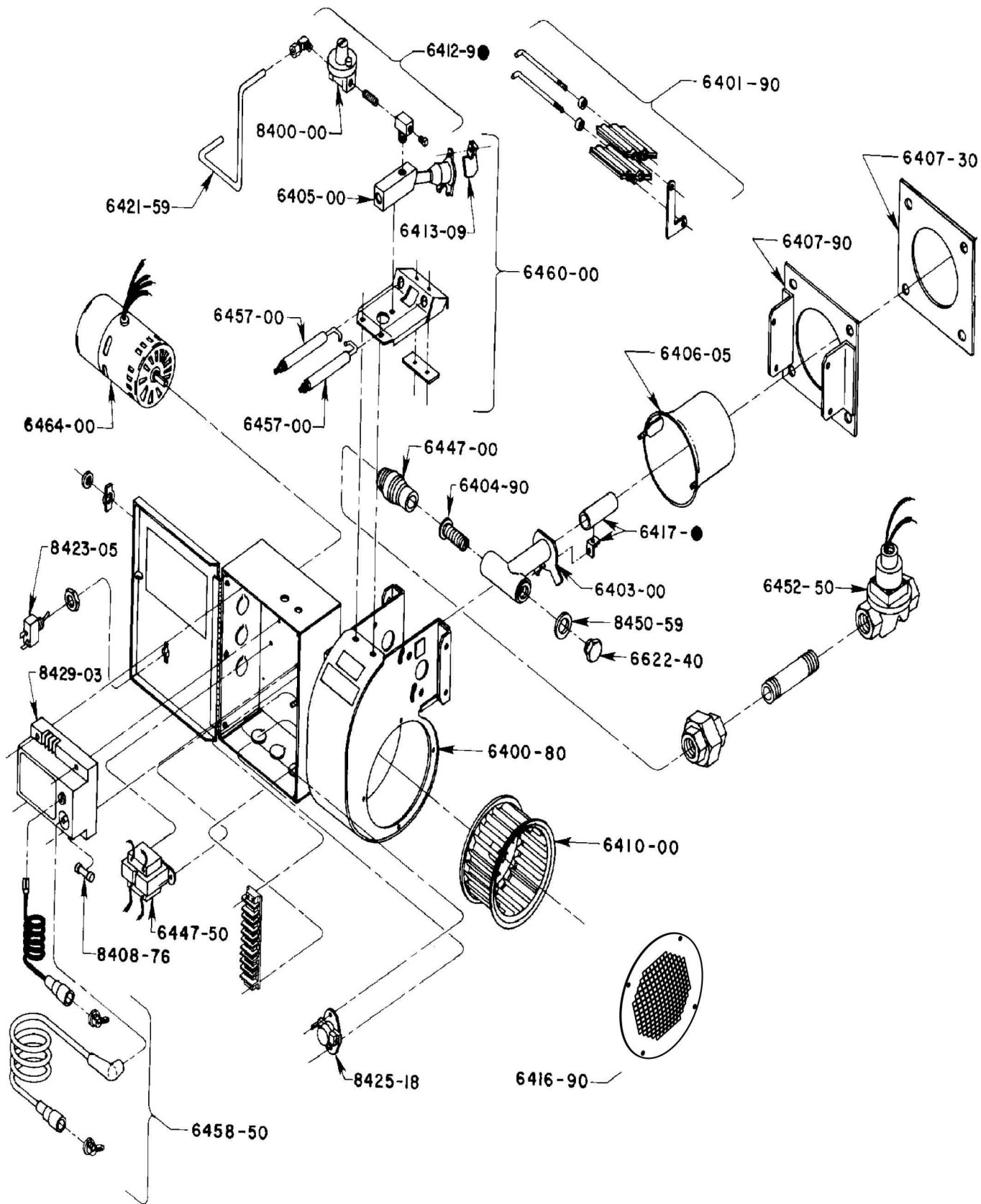
IMPORTANT: Availability of parts as well as specifications are subject to change without notice.
Please consult factory for item availability.

AVOID ERROR IN PARTS SELECTION. When ordering, use complete MIDCO part number and description. Furnish burner model number, bill of material number and date code from specification plate.

Quality Designed for Proven Performance

602
8472 09
Printed in USA

J83-DS Exploded View



<i>Part #</i>	<i>Description</i>	<i>Part #</i>	<i>Description</i>
6400-80	Blower Housing Replacement Kit (order Blower Wheel, Motor, Shutters, Inlet Screen, Manifold, etcetera, separately)	6447-00	Input Stop Nipple
6401-90	Shutter Replacement Kit	6447-50 ^{2,3}	Transformer 115/1/50-60 Primary, 24V-30VA Secondary (Basler BE121620-GDD, BE121620GAA; Prod Unlt'd 4000-01C02J232, 4000-01C02K232, 4000-01M04K232, 4000-01M04J232)
6403-00	Manifold		
6404-90	Input Adjuster Screw Assembly		
6405-00	Ignitor Gas Inlet Block, Tube and Ignitor Tip Assembly	6452-50 ^{2,3}	3/4" NPT Gas Valve -- 24 Volt (W-R 2509-266; Johnson H91LG-12D, ASCO M8040A23, GEN. CNTRL. K3A451S)
6406-05	Blast Tube		
6407-30	Flange Gasket	6457-00	Electrode (spark or flame) - 2 required
6407-90	Mounting Flange Replacement Kit (order Gasket separately)	6458-50	Electrode Wires, Boots and Strain Reliefs
6410-00	Blower Wheel	6460-00	Ignitor Assembly
		6464-00	Motor (Fasco U63-7163-7601)
		6622-40	Input Adjuster Cap
		8400-00	Ignitor Regulator 1/8 NPT (Maxitrol RV10, RV12LT)
		8408-76	3-Amp Type 3AG Glass Fuse -- 1/4" Dia. x 1 1/4" LG
		8423-05	On-Off Toggle Switch
		8425-18	Thermal Switch (T-O-D 60T-13-203420)
		8429-03	DSI Electronic Control Board (M-H S87D1087)
		8450-59	Input Adjuster Sealing Gasket
		2030701 ¹	PROPANE Conversion Kit
		2030702 ¹	NATURAL Conversion Kit
IGNITOR CONTROL PIPING			
<i>Assembly includes Brass Orifice Tee (with drilled Orifice), Pressure Tap, Regulator and Compression Fitting</i>			
6412-95	NATURAL -- #55 Drill (.052)		
6412-97	PROPANE -- #58 Drill (.042)		
6413-09	Ground Barrier Kit		
6416-90	Inlet Ring and Screen Replacement Kit		
6417-50	Main Gas Port and Tube Kit -- PROPANE		
6417-52	Main Gas Port and Tube Kit -- NATURAL		
6421-59	Ignitor Tubing Kit		

NOTES

1. Not illustrated.
2. Care must be taken when replacing the Main Gas Valve. It is important to note that some currently available Solenoid Safety Valves may have a higher volt amp draw than valves used in the past. The combined volt amp draw of the Electronic Control Board (5.0 VA) and the replacement valve must not exceed the volt amp rating of the 24V Transformer. If it does, it is probable that the valve will chatter and/or the Electronic Control Board will malfunction. Both are dangerous conditions.
 - If the burner was built before September 9, 1991 (Date Code 3791), it featured a 20VA Transformer.
 - If the burner was built September 9, 1991 (Date Code 3791) and later, it features a 30VA Transformer.

If an exact replacement valve is not available locally, MIDCO can supply a replacement valve. However, it is important that on these early burners, the 20VA transformer be replaced with a 30VA Transformer. In addition to the valve, order 6447-50 TRANSFORMER KIT 120/1/60 24V-30VA.
3. Refer to Historical Information on page 1.

